



8-FOOT PAVER EDGING

UPDATE

January 25th, 2023

Make sure that you have an up-to-date technical data sheet in hand by consulting our website: techniseal.com
U.S.A. and Canada: dial 1 800 465-7325
Others: dial (514) 523-8324 (Canada)

APPLICATIONS

- Perfect to define driveways, patios, alleys and walkways.

PROPERTIES

- Easy snap connection
- Can easily be cut on the ground
- Convenient and easy to use
- Heavy duty Injection molded
- Made from 100% recycled material
- 1 5/8 inches high

DESCRIPTION

The 8-Foot Rigid Paver Edging from Techniseal® is the most advanced paver edging on the market. Its installation is quick and effortless as it is the only edging that can be cut directly on the ground, making installation a breeze. Lengths join seamlessly with the integrated connectors. "Lobster Tail" design allows installer to double-spike, eliminating any risk of frost lift. It is also handy for spike off-set, in case of obstruction below grade.

DIRECTIONS

BEFORE YOU BEGIN

Before proceeding with the installation, make sure you have an up-to-date technical data sheet in hand visiting techniseal.com.

Necessary tools:

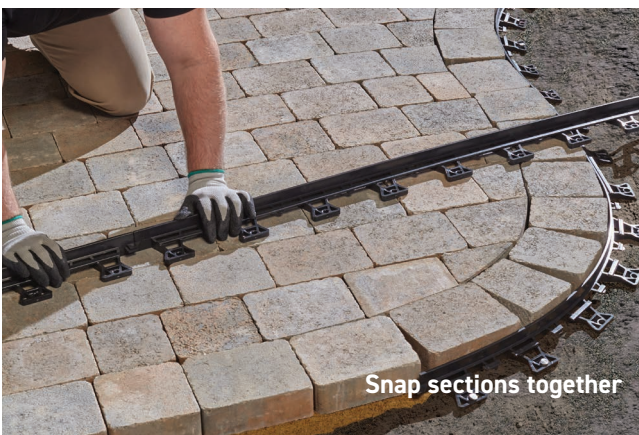
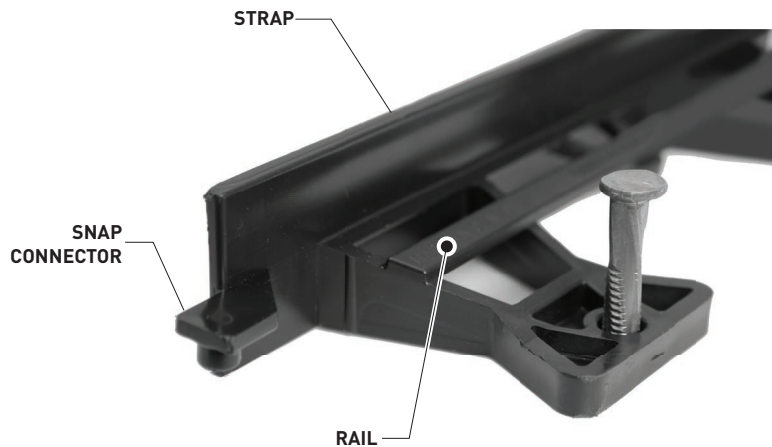
- Standard hammer
- Hacksaw
- Tin snips

ANCHORING AND INSTALLATION

For patios and walkways: 1 spike every 16 to 20 inches (40 to 50 cm) and at each end.

For driveways and heavy load areas: 1 spike every 8 to 12 inches (20 to 30 cm) and at each end.

1. Determine the amount of edging required by measuring the exterior perimeter of the project.
2. Edgings should be installed after the paver installation.
3. Lay edgings along the perimeter of the pattern with the tabs facing outwards.
4. Start anchoring the edgings using Techniseal® nails. To prevent the edging from pulling away from the paver edge, it is suggested to install nails between the rail and the strap.
5. Edging can be easily bent by hand to form any curve. To bend the edging, simply use tin snips to cut the rail at an angle. The rail can be cut on the ground, as you go.
6. Connect edging sections together with the easy snap connectors. Sections can be cut with a simple hacksaw.



PACKAGING

8' Edging	Product Code	Color	Unit Length	Unit Height	Units per pack	Packs per pallet	Units per pallet
	70971148 (245-950)	Black	8' (243 cm)	1.625" (4.2 cm)	10 80' (24 m)	63	630 5040' (1536 m)

WARNING

For more information and advice on the proper handling, storage, and disposal of this product, if applicable, please refer to the latest version of its Safety Data Sheet (SDS). This official document contains physical, ecological, and other important information pertaining to the safe usage of this product. Visit www.techniseal.com or call 1-800-465-7325 to request or find an up-to-date version of this product's Safety Data Sheet (SDS).

KEEP OUT OF REACH OF CHILDREN

TRANSPORT

For more information and advice on the proper handling and transportation of this product, if applicable, please refer to the latest version of its Safety Data Sheet (SDS). Visit www.techniseal.com or call 1-800-465-7325 to request or find an up-to-date version of this product's Safety Data Sheet (SDS).